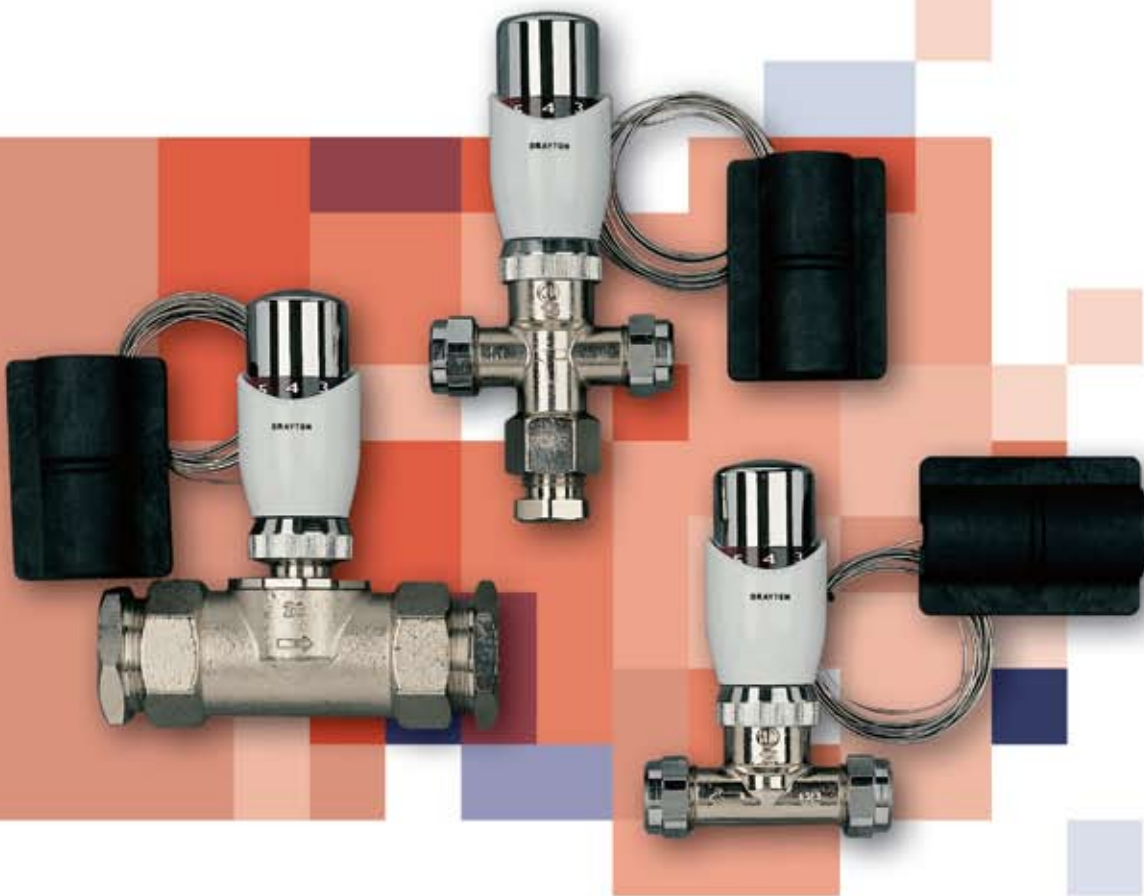


Tapstat Cylinder Controls



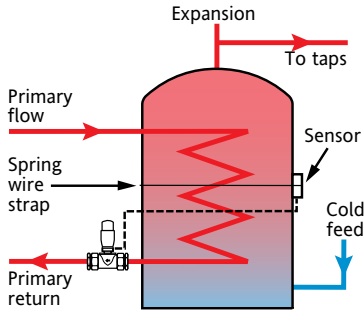
Self-acting tapstats control domestic hot water temperatures on gravity or pumped primary systems preventing scalding and fuel wastage

Tapstat cylinder controls

Features

- High quality
- Self acting (non electric)
- Range limiting stops
- Remote sensor with 2m capillary
- Compression fittings for copper pipe
- Simple to install

Installation



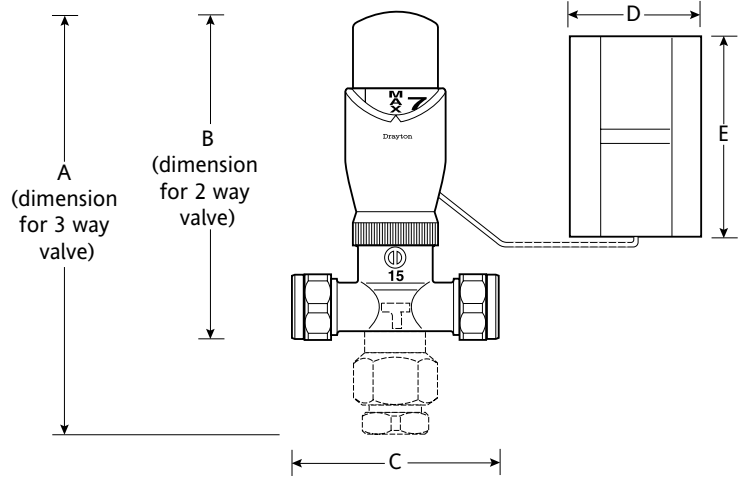
The gravity tapstat may be fitted in the primary flow line if preferred

Dimensions – in millimetres

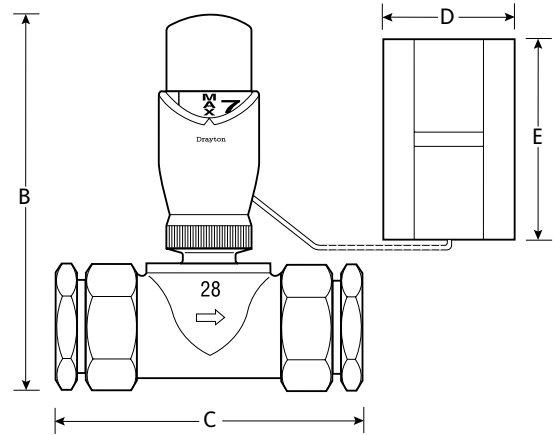
Type	A	B	C	D	E
15mm 2 way	–	121	75	50	70
15mm 3 way	160	–	75	50	70
28mm gravity	–	140	121	50	70

Dimensions

2/3 way pumped Tapstat



Gravity Tapstat



Technical data

Max. static pressure	147 psi (10 bar)	
Max. primary flow temperature	100°C continuous 120°C intermittent	
Max. differential pressure*	15mm 2 way	59 psi (4 bar)
	15mm 3 way	29 psi (2 bar)
	28mm gravity	7 psi (0.5 bar)
Kv value (fully open)	15mm 2 way	1.1
	15mm 3 way	1.1
	28mm gravity	4.6
Setting range	32°C to 72°C	

* The differential pressures stated are MAXIMUM limits. It is not recommended that Tapstats are used at pressures above 8.8 psi (0.6 bar) as noise may be experienced in the system.

Invensys Controls Europe

Customer Service Tel: 0845 130 5522

Customer Service Fax: 0845 130 0622

Technical Helpline Tel: 0845 130 7722

Email: customer.care@invensyscontrols.com

Website: www.draytoncontrols.co.uk

Available from:



D20-7